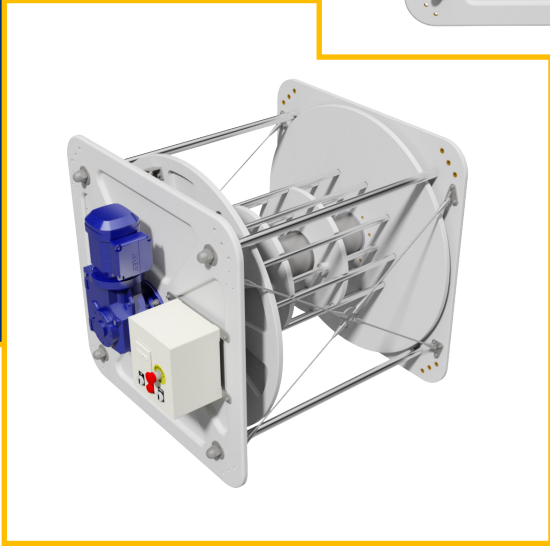


PRODUCT
GUIDE



Mk8 ELECTRIC TETHER WINCH

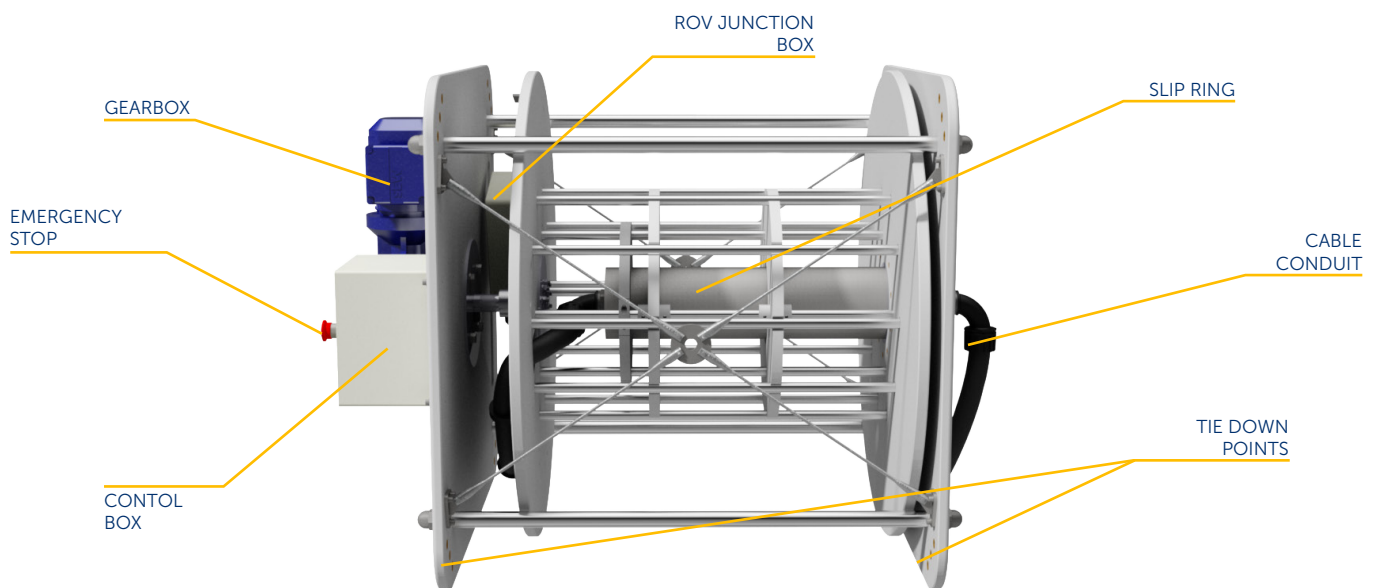


The Mk8 Electric Tether Winch is designed to store and deploy soft tethers for a variety of free swimming Remotely Operated Vehicles (ROVs).

Fitted with a variable speed electric drive the winch is controlled using a simple to operate handheld pendant.

The very small footprint of the winch makes it ideal for use on small vessels of opportunity and can be rapidly deployed thanks to the built in "plug and play" setup.

Available with a range of accessories including: lifting frame, sling and / or davit launch & recovery skid.



Tech Safe Systems Ltd manufacture a wide range of electric and hydraulic winches of standard and bespoke design. Our dedicated in-house design, engineering and manufacturing capabilities, coupled with specialist expertise, enable the production of tailored winch solutions with short lead times, to suit customer requirements.

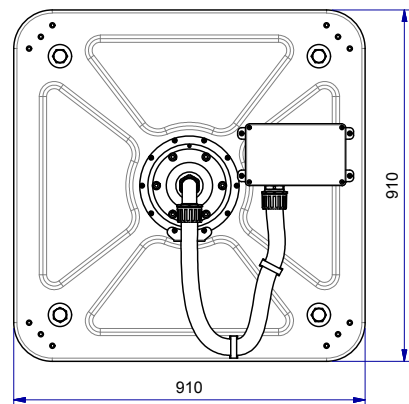
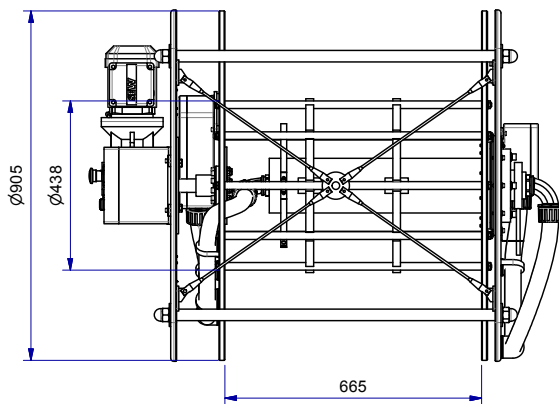
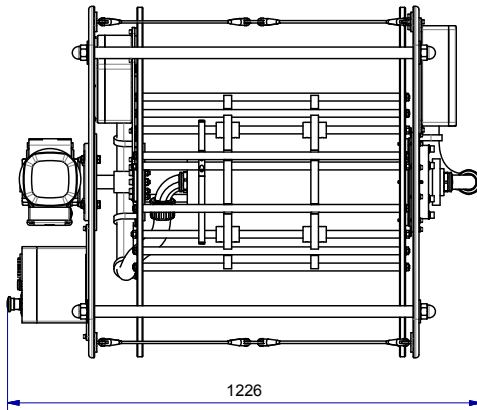
For more information, contact TSS on: +44 (0)1493 444454 or email: info@techsafe.co.uk

WINCHES

Mk8 ELECTRIC TETHER WINCH

SPECIFICATIONS

Dimensions (mm):	1,247 (L) x 910 (W) x 910 (H) as Standard
Launch SWL (kgs):	N/A
Operating Conditions:	Lloyds Sea State 6, 3.9m Significant Wave Height
Power Requirements:	200-240V AC Single Phase 50/60Hz
Rating Options:	Safe Area
Design Temperature:	-20°C to +50°C
Certification:	LOLER
Max. Drum Capacity:	<ul style="list-style-type: none">• 750m x 16-17mm• 1,100m x 13-14mm• 1,500m x 10-11mm



Dimensions shown in this leaflet do not always correspond to the standard specifications. Design and specifications are subject to change without prior notice. Dimensions may vary, subject to technical changes.