

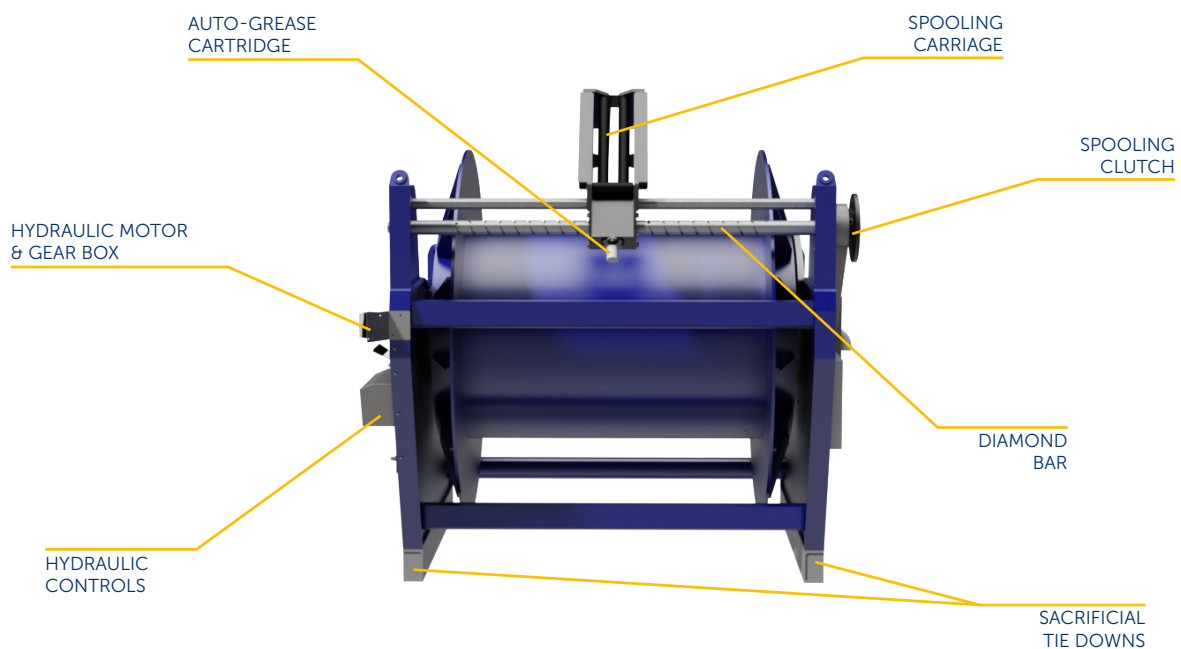
# Mk7 HYDRAULIC WINCH



The Mk7 Hydraulic Winch is designed for both free swimming and Tether Management Systems (TMS) based Remotely Operated Vehicles (ROVs).

Designs have direct drive to the drum comprising of hydraulic motor, gearbox and integral disc brake unit. Winch in / out is controlled via a single lever. The lever provides precise control of the winch and load. Speed control is proportional to the movement of the lever. Releasing the lever activates the fail safe brakes. A Wireless Remote Control can be added to operate the hydraulic winch from a safe location.

Umbilical spooling is achieved by guide rollers mounted on a diamond bar, chain driven from the winch drum.



Tech Safe Systems Ltd manufacture a wide range of electric and hydraulic winches of standard and bespoke design. Our dedicated in-house design, engineering and manufacturing capabilities, coupled with specialist expertise, enable the production of tailored winch solutions with short lead times, to suit customer requirements.

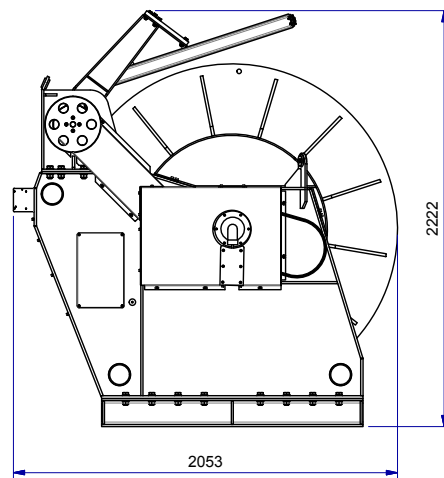
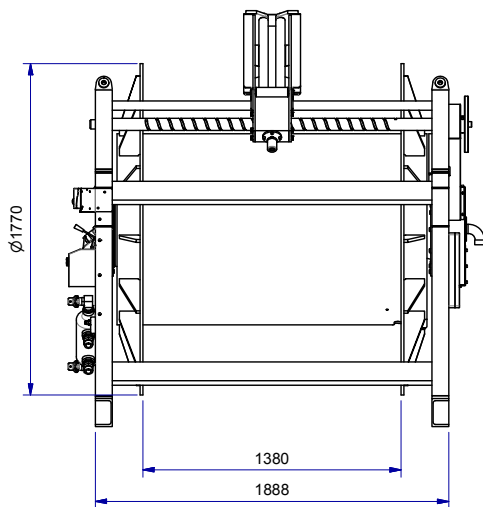
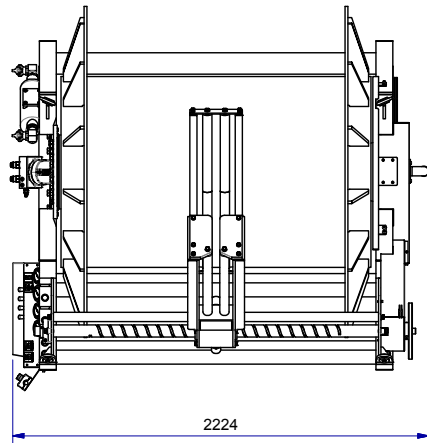
For more information, contact TSS on: +44 (0)1493 444454 or email: [info@techsafe.co.uk](mailto:info@techsafe.co.uk)

# WINCHES

## Mk7 HYDRAULIC WINCH

### SPECIFICATIONS

Dimensions (mm):	2,053 (L) x 2,224 (W) x 2,222 (H) as Standard
Launch SWL (kgs):	Up to 3,500
Operating Conditions:	Lloyds Sea State 6, 3.9m Significant Wave Height
Power Requirements:	380-460V AC 3Ph 50/60Hz
Rating Options:	Safe Area or Zone 2 ATEX
Design Temperature:	-20°C to +50°C
Certification:	Lloyd's Code for Lifting Appliances in a Marine Environment
Max. Drum Capacity:	<ul style="list-style-type: none"><li>• 2,200m x 30-31mm</li><li>• 2,600m x 25-26mm</li><li>• 3,300m x 20-21mm</li></ul>



Dimensions shown in this leaflet do not always correspond to the standard specifications. Design and specifications are subject to change without prior notice. Dimensions may vary, subject to technical changes.