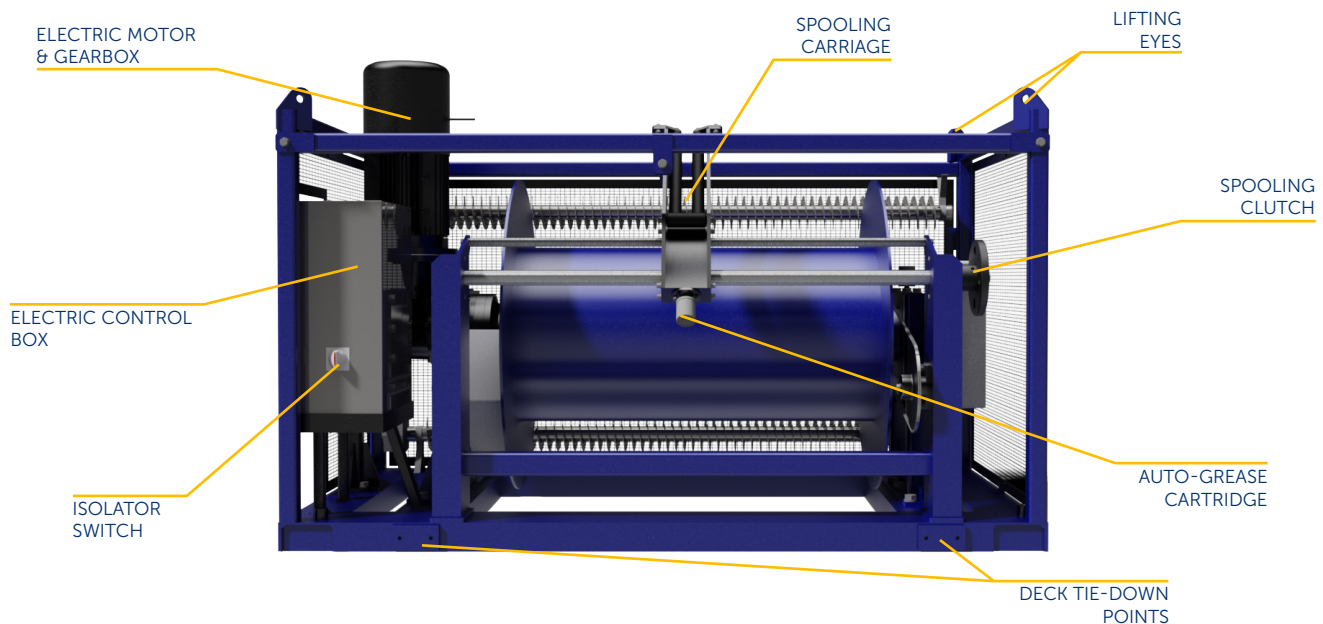


# Mk6 ELECTRIC WINCH



The Mk6 Electric Winch is designed for free swimming observation class Remotely Operated Vehicles (ROVs). It is electrically powered with variable speed and direction control. Control is via a simple and safe to operate handheld pendant. The winch is powered by a motor and gearbox direct drive to the drum.

The winch frame has lifting eyes fitted to the corners for the slings to attach to as well as providing stowage for the sheave wheel and protection for the winch when lifting.



Tech Safe Systems Ltd manufacture a wide range of electric and hydraulic winches of standard and bespoke design. Our dedicated in-house design, engineering and manufacturing capabilities, coupled with specialist expertise, enable the production of tailored winch solutions with short lead times, to suit customer requirements.

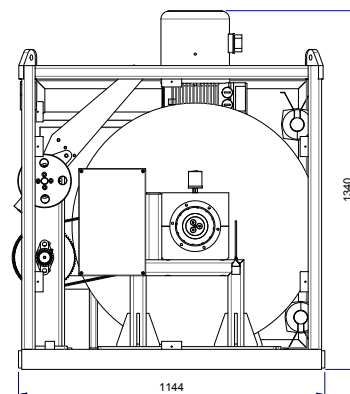
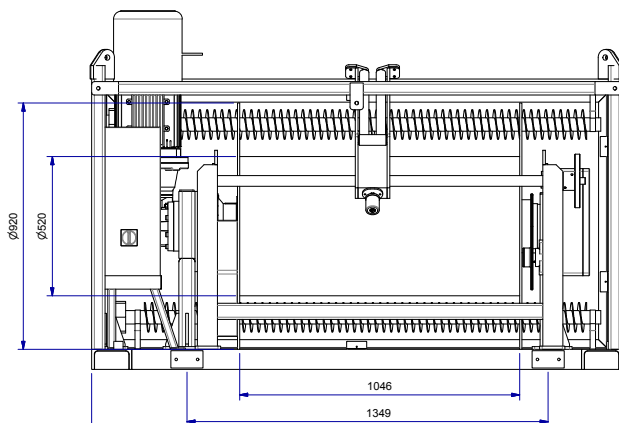
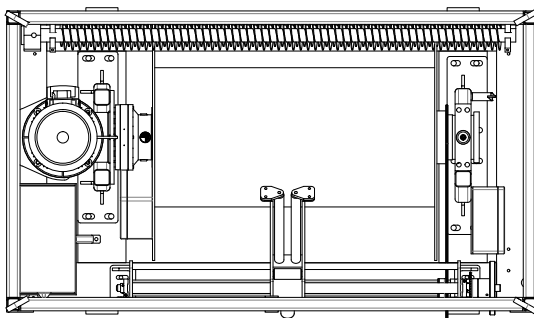
For more information, contact TSS on: +44 (0)1493 444454 or email: [info@techsafe.co.uk](mailto:info@techsafe.co.uk)

# WINCHES

## Mk6 ELECTRIC WINCH

### SPECIFICATIONS

Dimensions (mm):	1,980 (L) x 1,120 (W) x 1,500 (H) as Standard
Launch SWL (kgs):	Up to 605
Operating Conditions:	Lloyds Sea State 6, 3.9m Significant Wave Height
Power Requirements:	380-460V AC 3Ph 50/60Hz
Rating Options:	Safe Area or Zone 2 ATEX
Design Temperature:	-20°C to +50°C
Certification:	Lloyd's Code for Lifting Appliances in a Marine Environment
Max. Drum Capacity:	<ul style="list-style-type: none"><li>• 650m x 25-26mm</li><li>• 1,100m x 20-21mm</li><li>• 2,100m x 14-15mm</li><li>• 4,250m x 10-11mm</li></ul>



Dimensions shown in this leaflet do not always correspond to the standard specifications. Design and specifications are subject to change without prior notice. Dimensions may vary, subject to technical changes.